

FMS Web Guiding / Actuators

BKS.TA Series Motorised Traverse

- **Remote-controlled sensor adjustment:**
Allows precise sensor adjustment also in inaccessible places
- **4 types with adjustment ranges of 200, 400, 600 and 1000 mm:**
Sensor positioning over the entire web width. Adaptable to any frame size
- **Stepper motor/threaded spindle:**
Backlash-free, highly accurate positioning
- **Rugged design in aluminium profile:**
Long-lasting reliability, maintenance-free



BKS.TA Series

The BKS.TA is a series of motorized traverses designed to align precisely the material sensors on steering frames via an operation panel.

The traverses work in combination with all FMS actuators, with the midsize and large steering frames and a web guide controller providing enhanced control functions.

A simple assembly concept, and its space-saving design make the traverses perfect for new machines or machines upgrades.

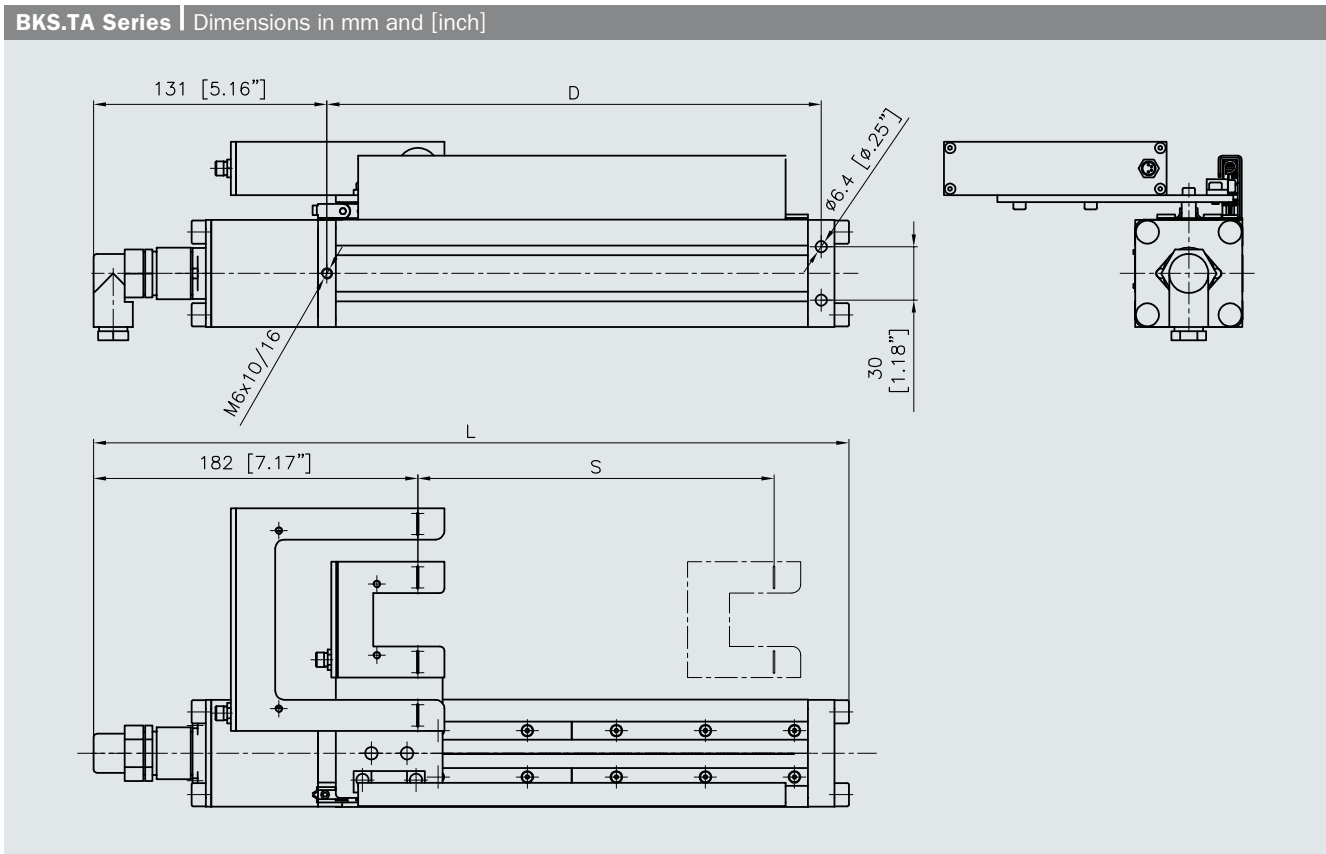
FMS traverses operate clean and are suitable for the food, pharmaceutical and packaging industry.

Functional Description

This traverse design uses a stepper motor with a threaded spindle combination that operates backlash-free and with high precision.

The BKS.TA traverse and its dedicated web guide controller BKS 309.W.M allow the control of two sensors.

Thanks to its sophisticated functions such as Reference-Run, Free-Run or an automatic Sensor Detection operation is straightforward and intuitive.



BKS.TA Series | Dimensions in mm and [inch]

Traverse Type	Overall Length L		Mounting Distance D		Adjustment Range S	
	mm	inch	mm	inch	mm	inch
BKS.TA.200	424	[16.70]	277.5	[10.93]	200	[7.87]
BKS.TA.400	624	[24.60]	477.5	[18.80]	400	[15.74]
BKS.TA.600	824	[32.40]	677.5	[26.67]	600	[23.62]
BKS.TA.1000	1224	[48.20]	1077.5	[42.42]	1000	[39.37]

BKS.TA Series | Technical Data

Spindle pitch	2 mm
Adjusting speed	20 mm/sec. [0.79"/sec.]
Drive	Stepper motor, threaded spindle combination
Temperature range	0...50 °C [32°...132 °F]
Protection class	IP 40

BKS.TA Series | Texture of the order code

BKS.TA.

Adjustment Range

Series

BKS.TA Series | Scope of delivery

- Motorized Traverse • Sensor cable • Control cable 5 m
- Mounting Bracket

BKS.TA Series | Not included

- Sensors