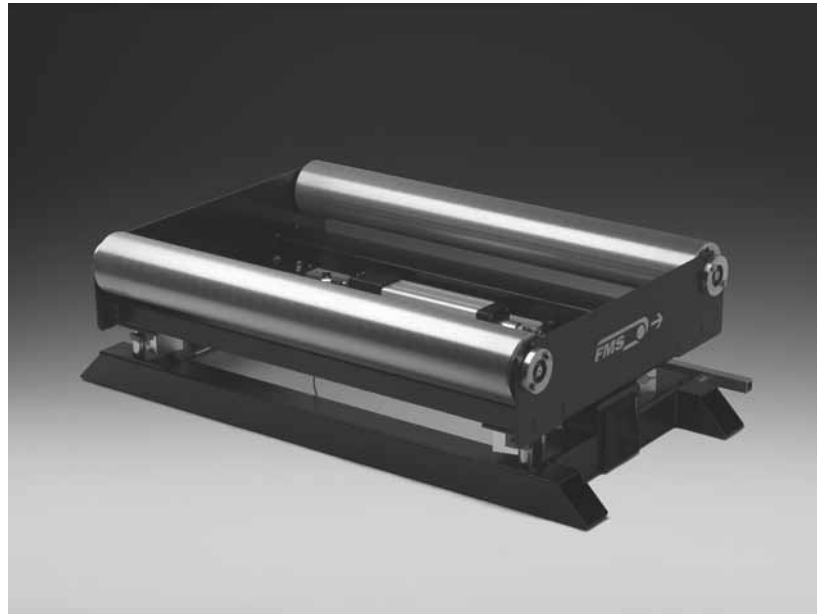


FMS Web Guiding / Steering Frames

FMS-webMASTER BKS 030 Web Guide

- **Fast and precise positioning thanks an advanced motor design:**
Very reliable also at high machine speeds
- **Web Guide Controller available in different housing types:**
Large variety of mounting options
- **Roller length from 600 to 1800 mm:**
Designed for mid-range web application
- **Sophisticated and sturdy design:**
Reliable and maintenance free operation

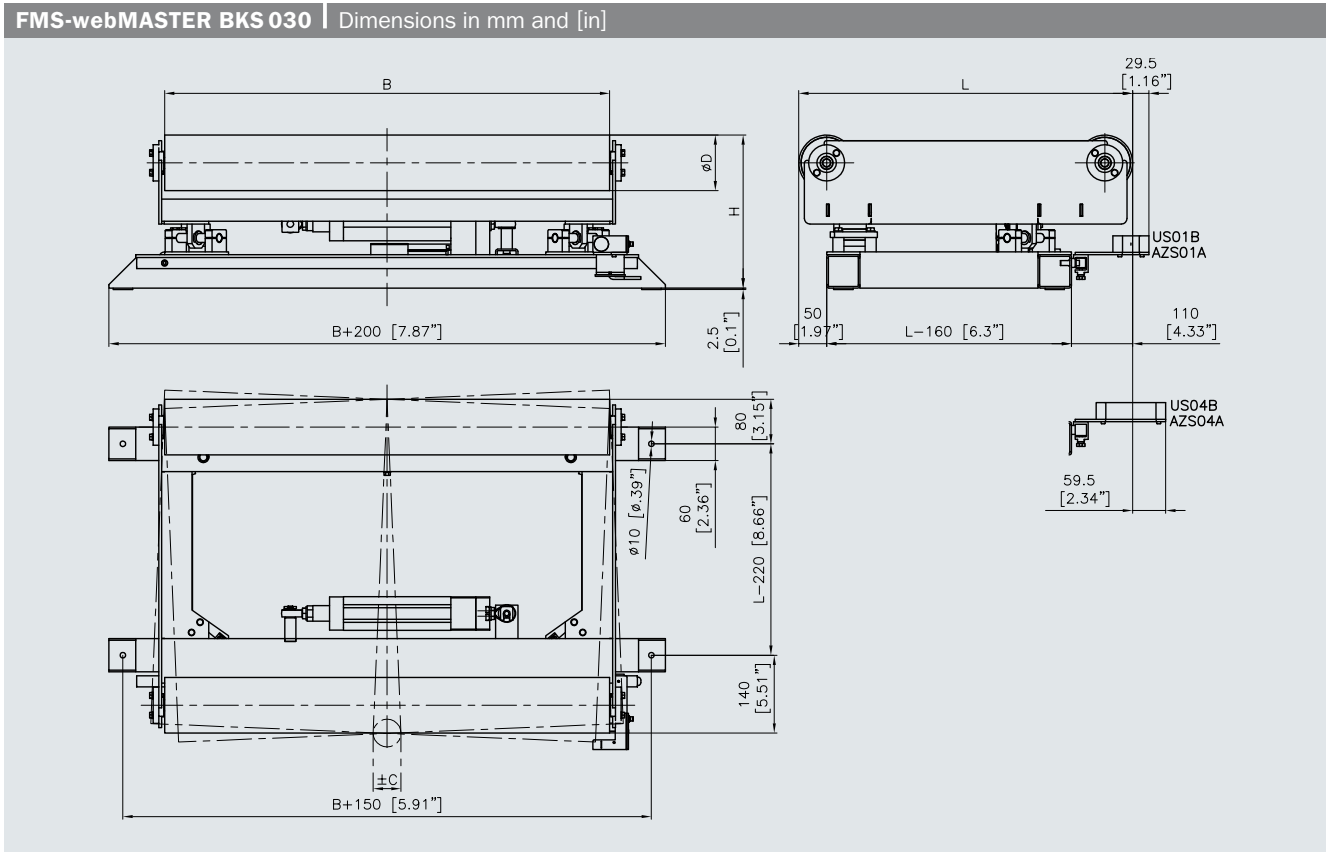


FMS-webMASTER BKS 030

The Steering Frames BKS 030 are used in a dedicated web guide series for web processing machines such as label printing presses, slitters, rewinders, film conversion and extruding equipment, packaging lines and many other applications. The web guides are characterized by their robust and simple construction. They were designed to increase the processing speed of your converting lines and improve the quality of your products.

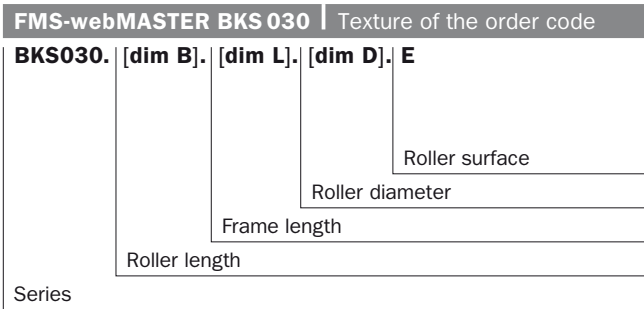
Functional Description

A powerful stepper motor with a ball screw spindle adjusts the steering frame free of play and very precisely. The rollers are manufactured and balanced to high standards. A wide range of material sensors allow edge, centre or line guiding. Regardless whether you run simple or sophisticated manufacturing processes, the FMS-webMASTER BKS 030 and its control electronics BKS 309 is the optimal solution to meet even your most demanding control needs.



FMS-webMASTER BKS 030		Dimensions in mm						
Roller length (B)		600	800	1000	1200	1400	1600	1800
Frame length (L)		450	600	750	900	1000	1200	1200
Roller diameter (D)		100	100	100/150	100/150	100/150	150	150
Frame height (H)		277.5	277.5	277.5/327.5	277.5/327.5	277.5/327.5	327.5	327.5
Correction (C)		22.5	30	37.5	45	50	60	60

FMS-webMASTER BKS 030		Technical Data
Correction		± 0.05 x L
Supporting points		4-points
Adjusting speed		> 35 mm/s
Drive		with ball screw and stepper motor 24 V/max. 2.5 A
Temperature range		0...55 °C [32...131 °F]
Protection class		IP 30



Order code example: BKS030.1200.900.150. E

FMS-webMASTER BKS 030		Surfaces/Electronics mounting
Roller surface		D = Alu turned E = Anodised K = Rubber cork A = Special roller coating